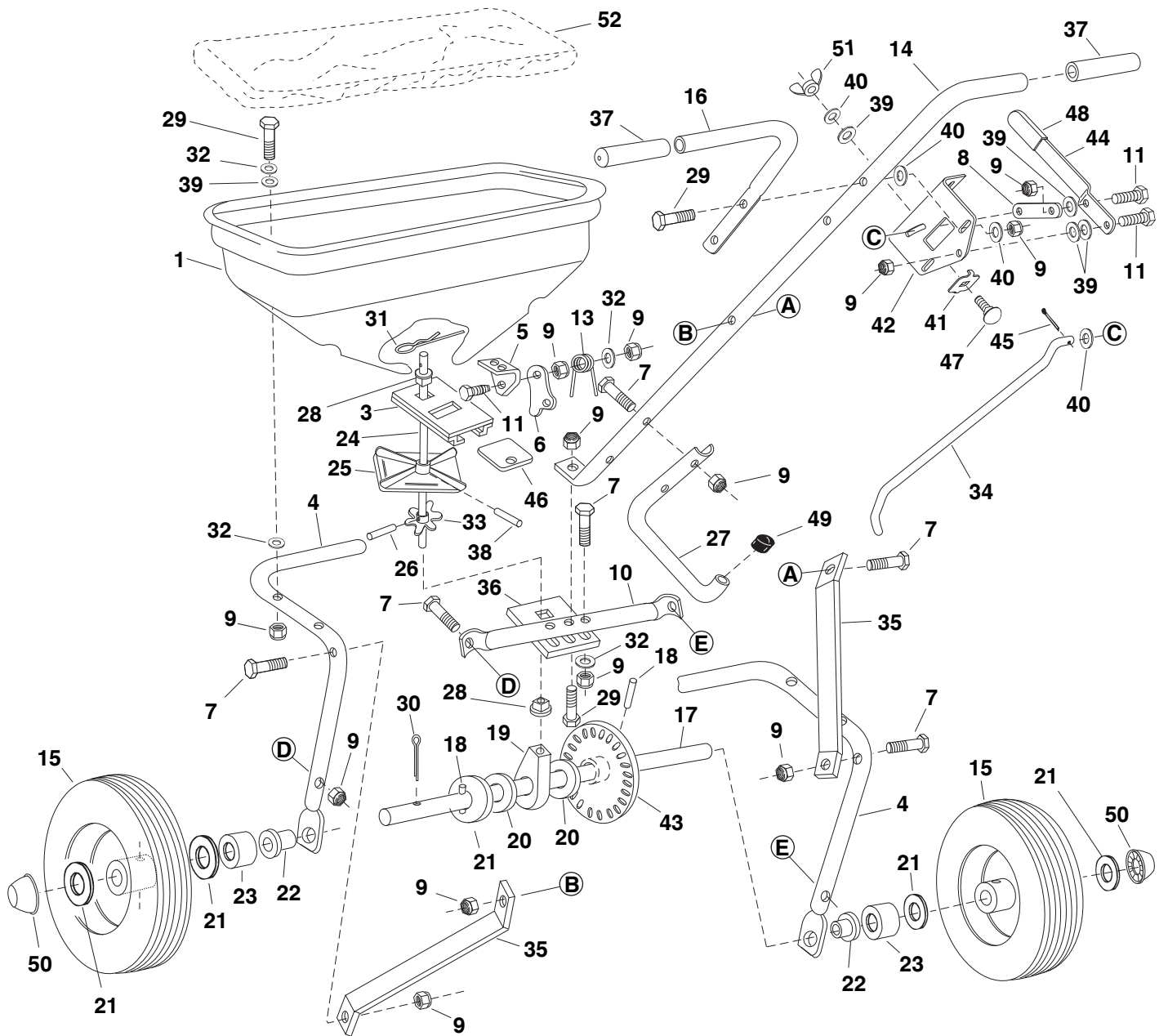


REPAIR PARTS FOR BROADCAST SPREADER MODEL 45-02104



REPAIR PARTS LIST FOR BROADCAST SPREADER MODEL 45-02104

| REF. NO. | PART NO. | QTY. | DESCRIPTION | REF. NO. | PART NO. | QTY. | DESCRIPTION |
|----------|-----------|------|-------------------------------------|----------|-----------|------|----------------------------------|
| 1 | 44466 | 1 | Hopper | 28 | 44285 | 2 | Bushing, Delrin 3/8" I.D. |
| 2 | C-9M5732 | 2 | Pop Rivet (not shown) | 29 | 1509-69 | 9 | Bolt, Hex 1/4-20 x 1-3/4" Lg.* |
| 3 | 62482 | 1 | Ass'y, Guide Closure | 30 | 47063 | 1 | Pin, Cotter 5/32" x 2" |
| 4 | 48842 | 1 | Tube, Frame | 31 | 48934 | 1 | Hairpin, Agitator |
| 5 | 23753 | 1 | Slide Gate Angle Bracket | 32 | 43088 | 16 | Washer, Flat 1/4" Std. |
| 6 | 23758 | 1 | Slide Gate Bracket | 33 | 44468 | 1 | Sprocket - 6 Tooth |
| 7 | 43648 | 9 | Bolt, Hex 1/4-20 x 1-1/2" Lg.* | 34 | 44514 | 1 | Rod, Flow Control |
| 8 | 24857 | 1 | Flow Control Link | 35 | 23525 | 2 | Brace, Hitch |
| 9 | 47189 | 22 | Nut, Nyock 1/4-20 Thd. * | 36 | 23780 | 1 | Support, Shaft |
| 10 | 48841 | 1 | Tube, Crossover | 37 | 44482 | 2 | Grip, Handle |
| 11 | 43661 | 3 | Bolt, Hex 1/4-20 x 1" Lg.* | 38 | 46055 | 1 | Pin, Spring 1/8" Dia. x 1" Lg. |
| 13 | 44566 | 1 | Spring, Torsion | 39 | 1543-69 | 10 | Washer, Nylon |
| 14 | 44590 | 1 | Tube, Handle (Long) | 40 | R19111116 | 6 | Washer, 5/16 SAE |
| 15 | 40880 | 2 | Wheel | 41 | 24858 | 1 | Stop, Adjustable |
| 16 | 44589 | 1 | Tube, Handle (Short) | 42 | 24855 | 1 | Bracket, Flow Control Mount |
| 17 | 25067 | 1 | Shaft, Axle | 43 | 48888 | 1 | Gear |
| 18 | 44665 | 2 | Pin, Spring 5/32" Dia. x 1-1/4" Lg. | 44 | 24856 | 1 | Flow Control Arm |
| 19 | 48916 | 1 | Bushing, Axle Shaft | 45 | 44101 | 1 | Cotter Pin 3/32" x 3/4" Lg.* |
| 20 | 44125 | 4 | Washer, Shim 5/8" I.D. | 46 | 23533 | 1 | Plate, Closure |
| 21 | R19212016 | 5 | Washer, Flat 5/8" I.D. | 47 | 44950 | 1 | Bolt, Carriage 1/4-20 x 3/4" Lg. |
| 22 | 741-0249 | 2 | Bearing, Flange | 48 | 43848 | 1 | Grip, Flow Control Arm |
| 23 | 48857 | 2 | Tube, Spacer | 49 | 44481 | 1 | Cap, Vinyl |
| 24 | 25305 | 1 | Shaft, Sprocket | 50 | 48499 | 2 | Hub Cap |
| 25 | 04367 | 1 | Spreader Plate | 51 | 47141 | 1 | Nylon Wing Nut, 1/4-20 |
| 26 | 43850 | 1 | Pin, Spring 1/8" Dia. x 5/8" Lg. | 52 | 40825 | 1 | Vinyl Hopper Cover (Optional) |
| 27 | 44587 | 1 | Tube, Leg Stand | | 41078 | 1 | Owner's Manual |

*Purchase common hardware locally.